



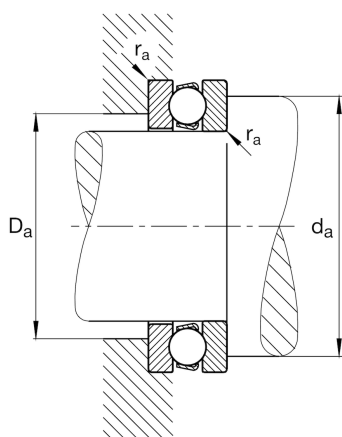
FAG

**51204**

Axial deep groove ball bearing

Schaeffler ID:  
0167150120000Axial deep groove ball bearing 512, single  
direction, steel sheet metal cage

## Technical information

**Main Dimensions & Performance Data**

d	20 mm	Bore diameter
D	40 mm	Outside diameter
T	14 mm	Height
$C_a$	21,100 N	Basic dynamic load rating, axial
$C_{0a}$	37,500 N	Basic static load rating, axial
$C_{ua}$	1,700 N	Fatigue load limit, axial
$n_G$	8,500 1/min	Limiting speed
$n_{gr}$	11,600 1/min	Reference speed
	82 g	Weight

**Dimensions**

$r_{min}$	0.6 mm	Minimum chamfer dimension
$D_1$	22 mm	Bore diameter housing washer
$d_1$	40 mm	Lip diameter shaft washer

**Mounting dimensions**

$d_{a min}$	32 mm	Minimum diameter shaft shoulder
$D_{a max}$	28 mm	Maximum diameter of housing shoulder
$r_{a max}$	0.6 mm	Maximum recess radius

**Additional information**

A	0.007	Minimum load factor
---	-------	---------------------

**Temperature range**

$T_{min}$	-30 °C	Operating temperature min.
$T_{max}$	150 °C	Operating temperature max.